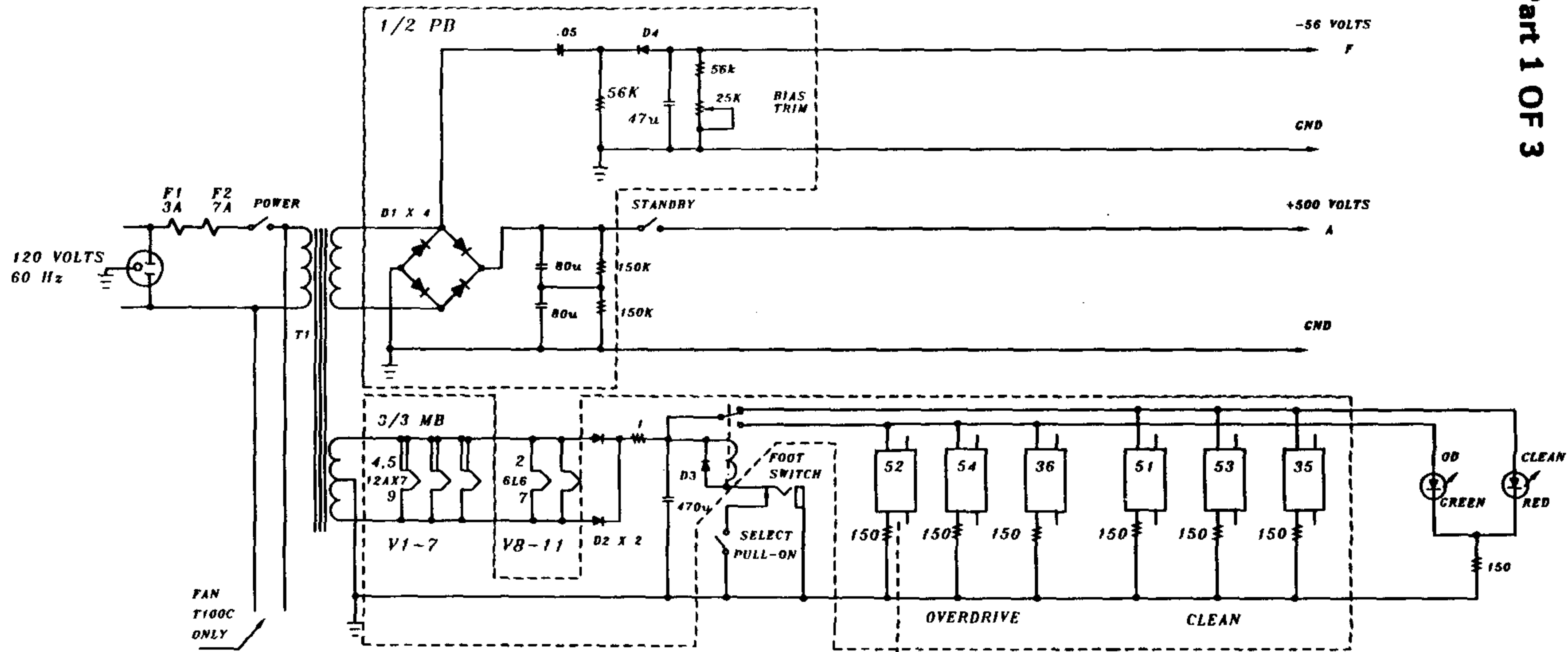


# POWER SUPPLY

## T50-100

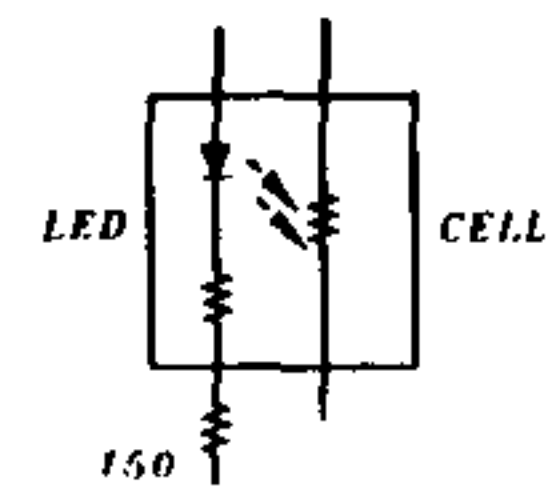
YAMAHA

MONITOR THE OUTPUT WITH AN OSCILLOSCOPE.  
BIAS TRIM - ADJUST FOR MINIMUM CROSSOVER DISTORTION  
AT MAXIMUM POWER OUTPUT.



**POWER TRANSFORMER**

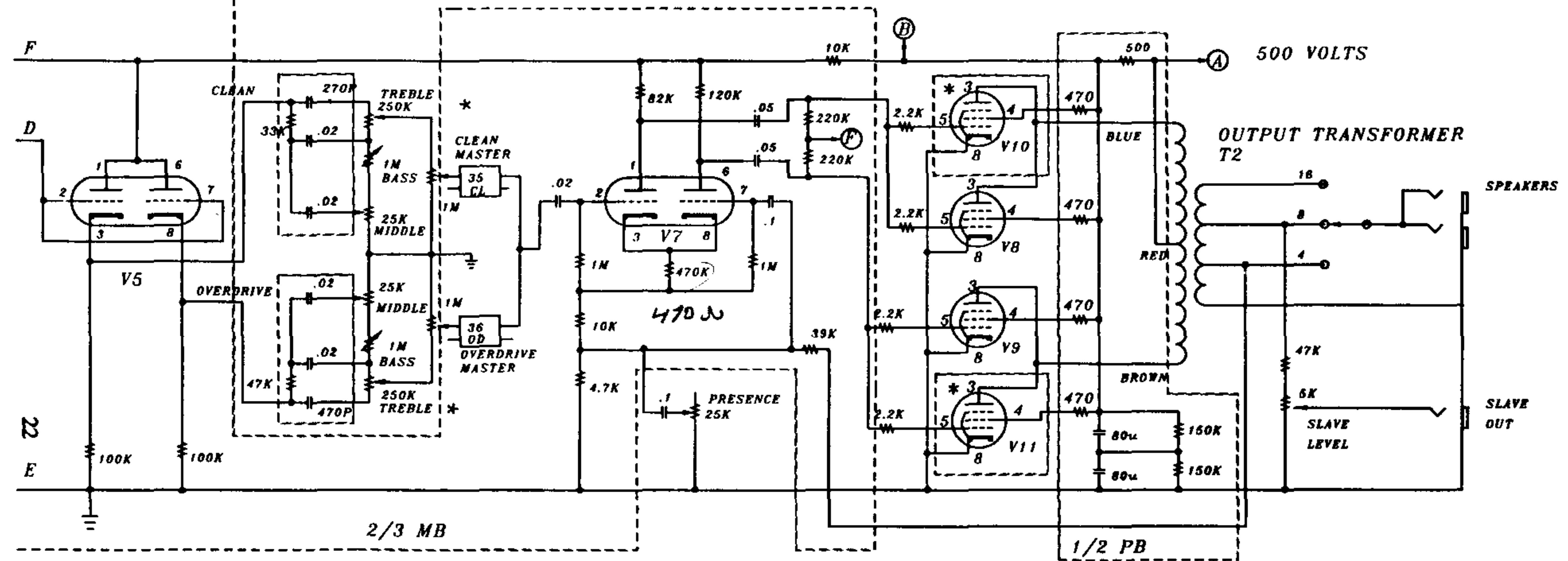
T50 - T50C	T50, T50C
T1 = P-51Y-1	F1 = 3A
T100 - T100C	
T1 = P-101Y-1	





## POWER AMPLIFIER SECTION

YAMAHA



\* - T100 ONLY

### PIN NUMBERS

TUBE #	1	2	3	4	5	6	7	8	9
V1	156		1.2			222		1.8	
V2	209		1.5			285		3.3	
V3	164		1.6			329		3.3	
V4	189		1.4			189		1.4	
V5	329		190			329		190	
V6	428		2.7			170		1.2	
V7	213		34			204		34	
V8			470	462	-50			0	
V9			470	462	-50			0	

THE DC VOLTAGE LISTED IN THE TABLE IS THE NOMINAL DC VOLTAGE FOR THAT PIN BASED ON 117 VOLTS AC LINE.

ALL VOLTAGE IS MEASURED WITH RESPECT TO POWER GROUND

\* Please read Production up-dates page 14

T2 - OUTPUT TRANSFORMER  
 T50-T50C = 0-51Y-1  
 T100-T100C = 0-101Y-1

V5 - 7 = 12AX7  
 V8, 9 = 6L6GC  
 V10, 11 = 6L6GC T100 ONLY